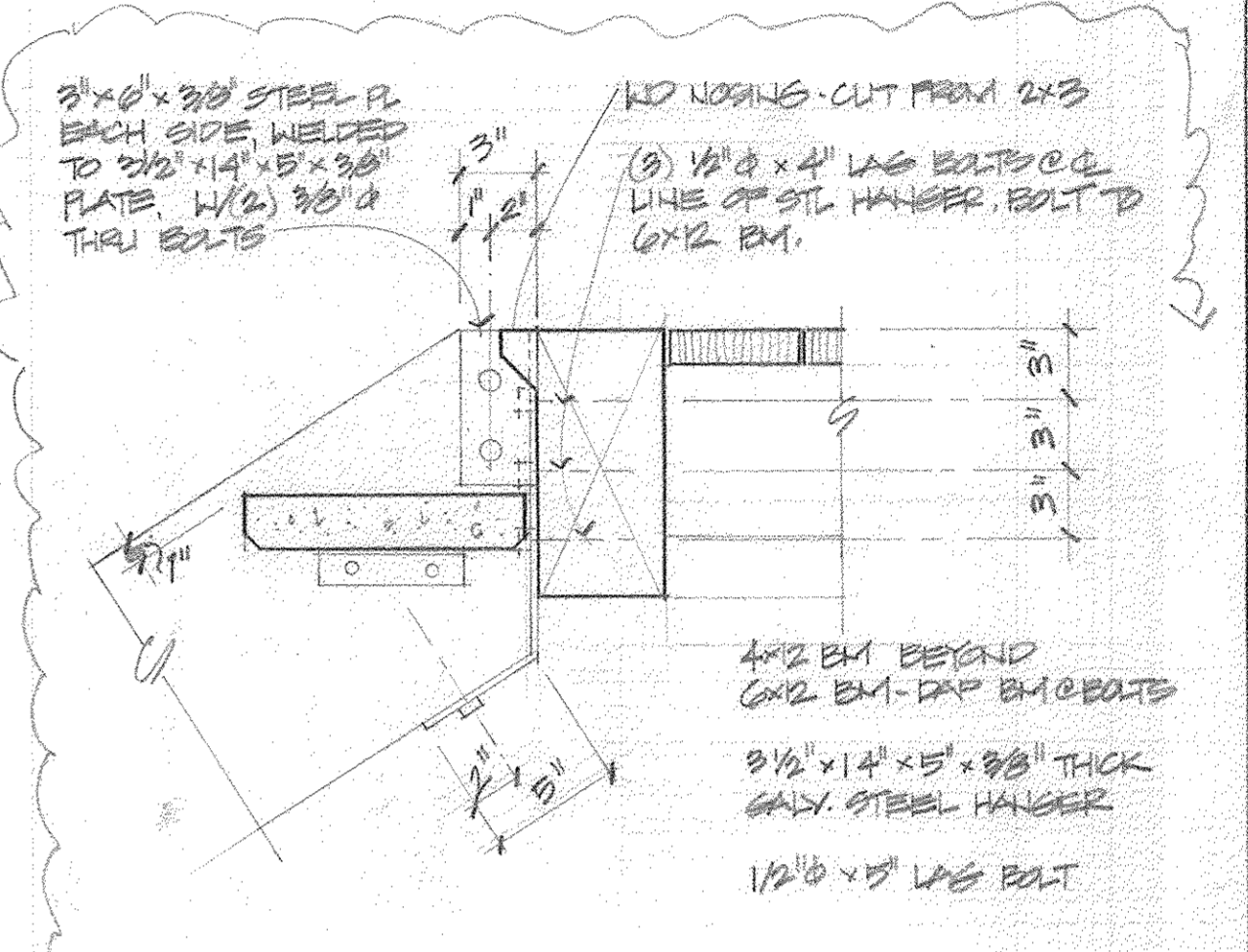
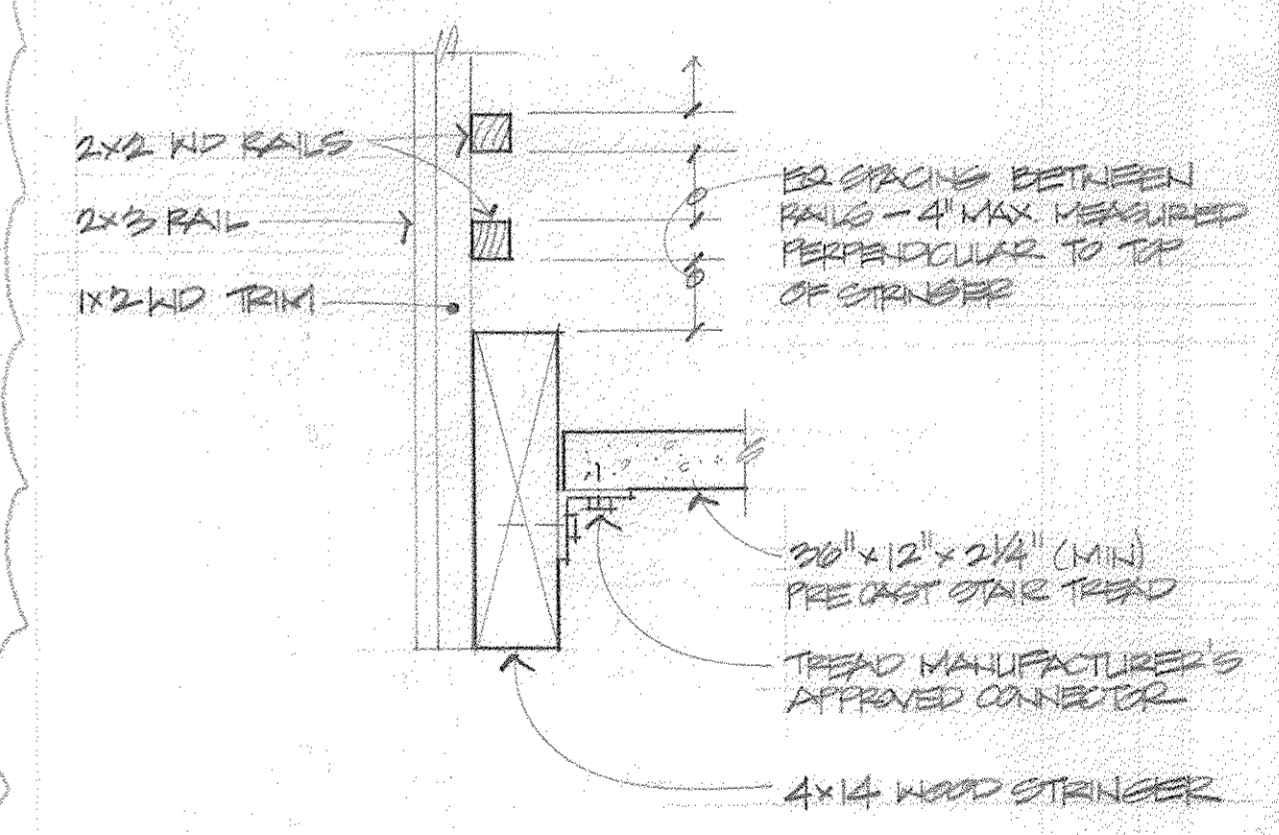


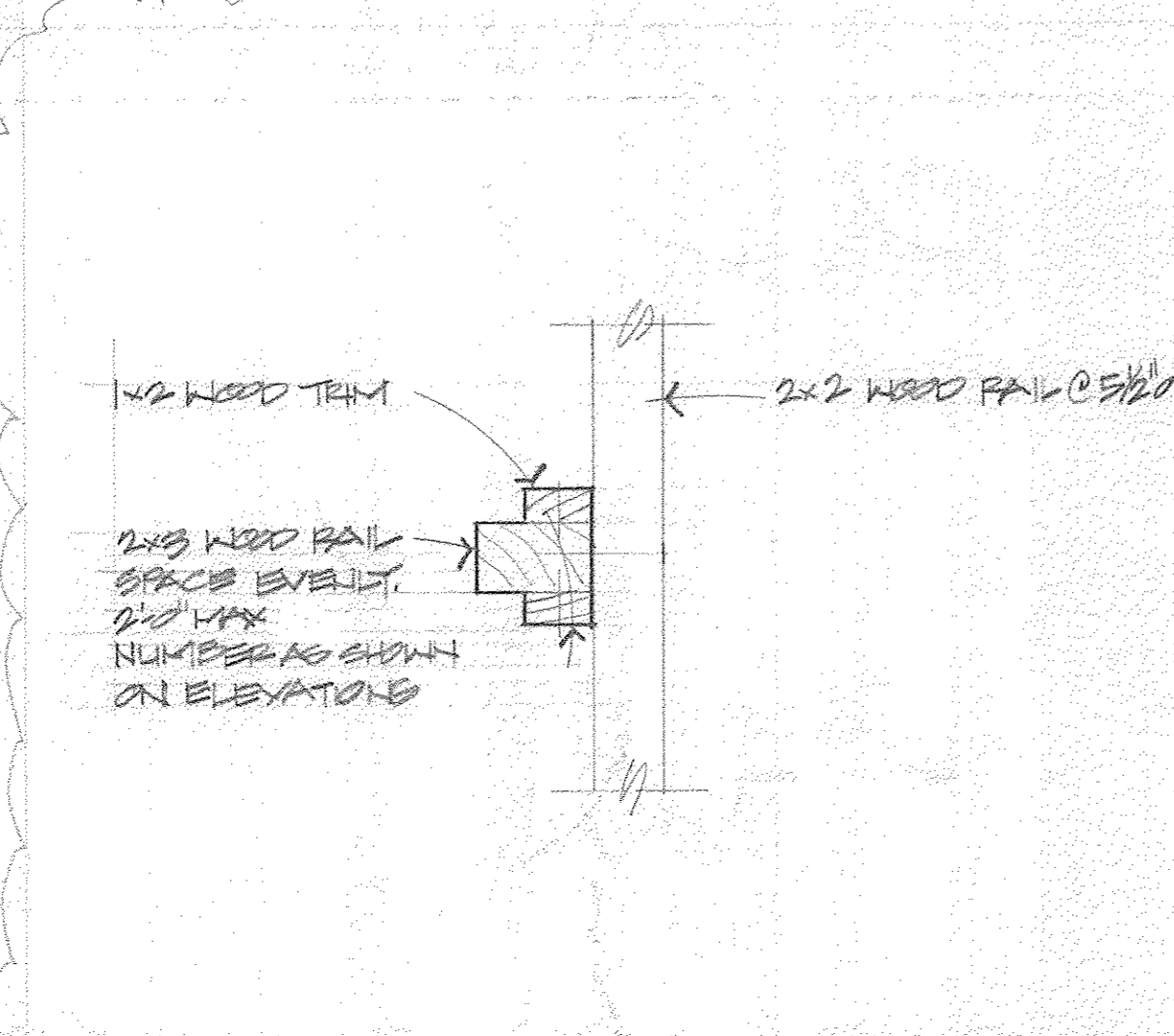
**SOUTH ELEVATION**  
1/4" = 1'-0"



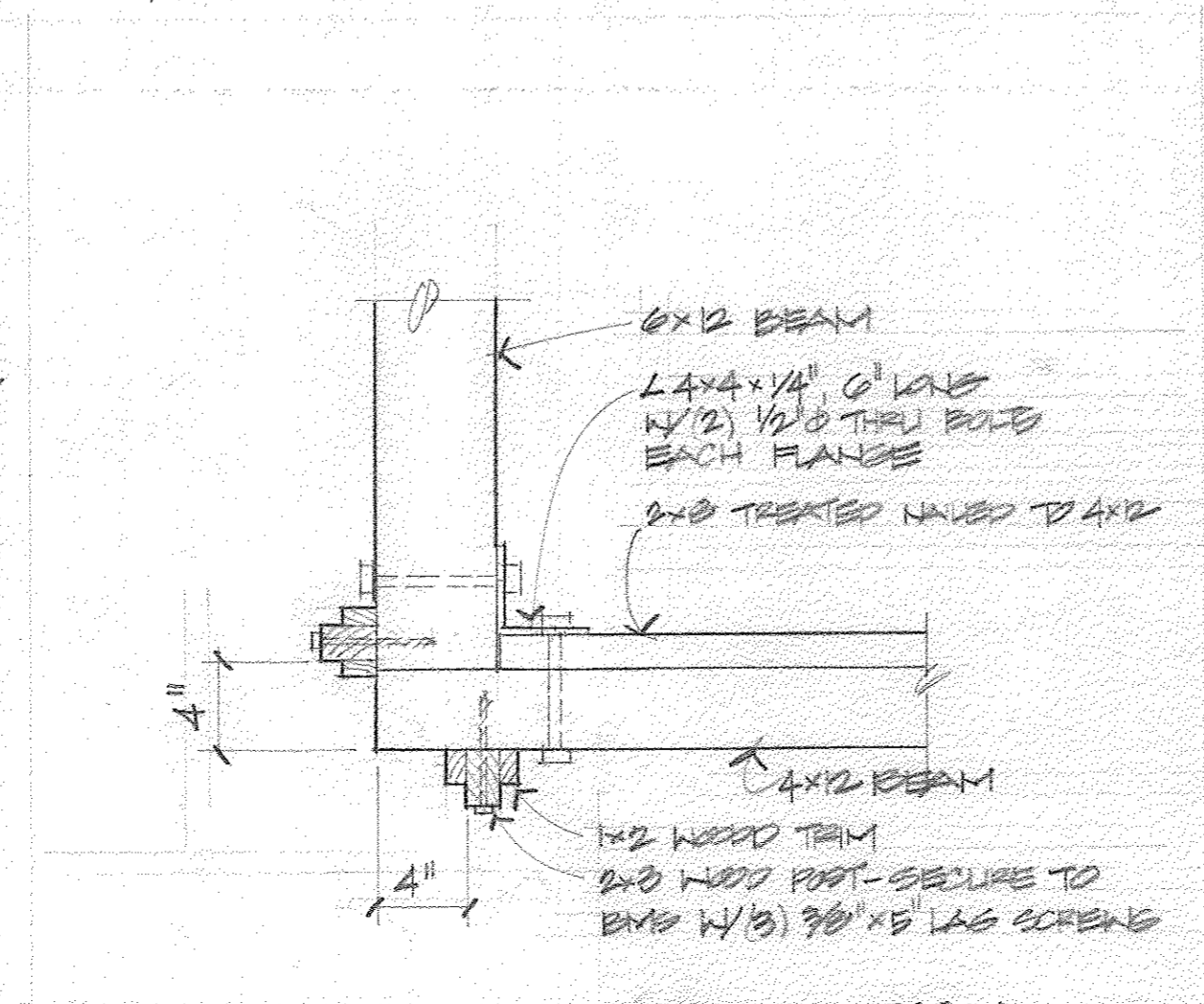
**DB STAIR/LANDING CONNECTION**  
1/2" = 1'-0"



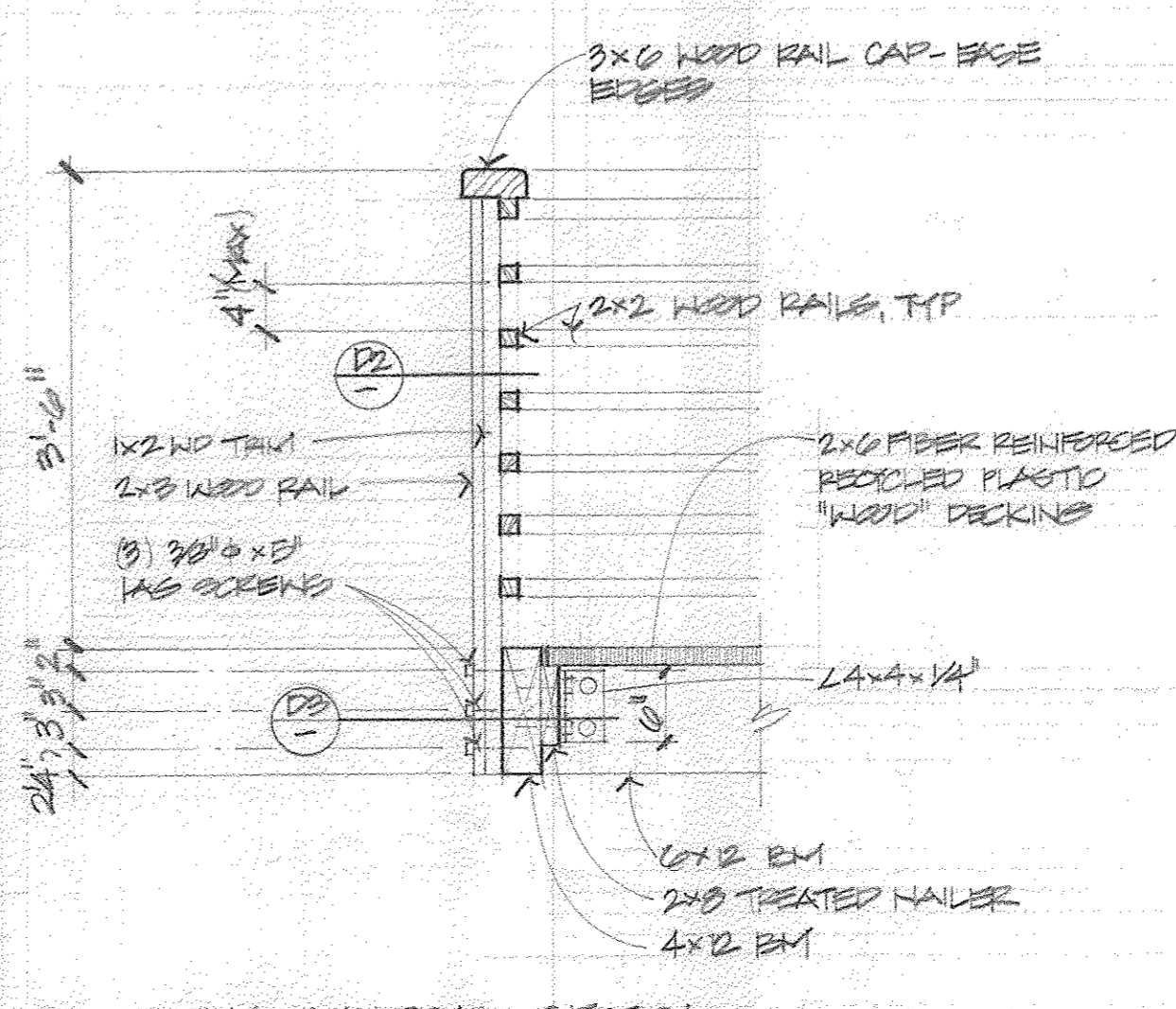
**CE STAIR STRINGER**  
1/2" = 1'-0"



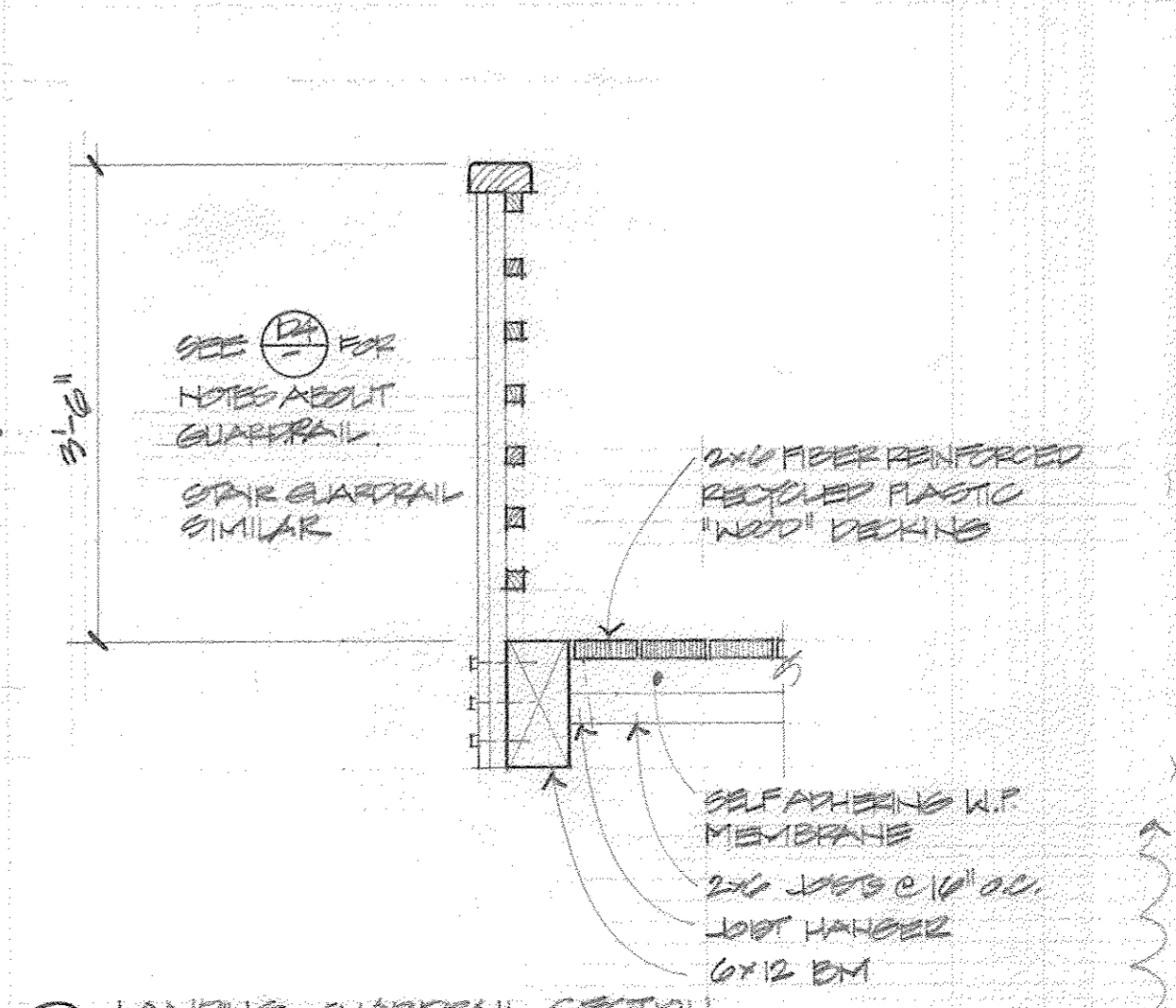
**DD PLAN VIEW OF GUARDRAIL 2x2 RAIL & TRIM**  
1/2" = 1'-0"



**DE PLAN VIEW OF LANDING BEAM CONNECTION**  
1/2" = 1'-0"



**DD LANDING GUARDRAIL SECTION**  
3/4" = 1'-0"



**DE LANDING GUARDRAIL SECTION**  
3/4" = 1'-0"

3810 REGISTERED ARCHITECT  
JEFFREY M. HADLEY  
STATE OF WASHINGTON

**SOUTH BUILDING ELEVATION**  
**DETAILS**

**FIR LODGE / ALKI HOMESTEAD**  
2717 61ST AVENUE SW  
SEATTLE, WA

**A 3.1**

Revised: 2/8/16